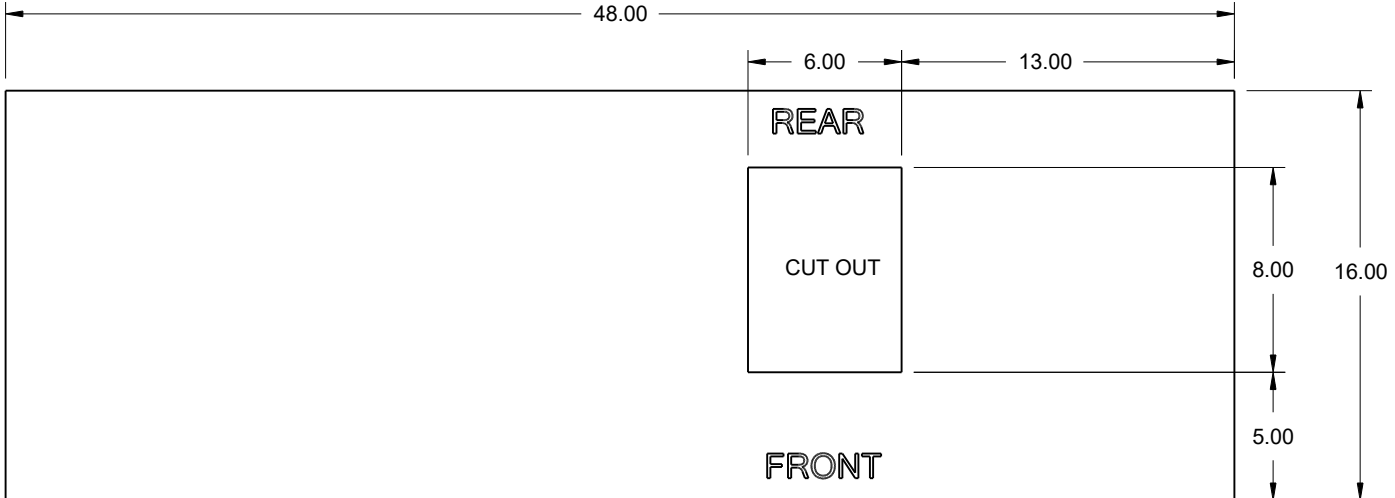
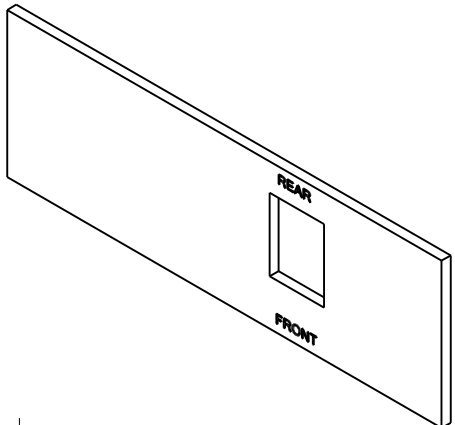




REVISIONS				
ZONE	REV	DESCRIPTION	DATE	APPROVED



SIZE A	FSCM NO.	DWG NO.	REV
SCALE	SHEET		

